



# T90

The all-in-one with more to store



STANDALONE LINE





## Offer your customers a great recycling experience

From the interactive user interface screen to fast and efficient container handling, powered by TOMRA Flow 360° recognition technology, you can give your customers every reason to love recycling at your store.

## Manage your peak volume with minimal maintenance

Experience continuous operation even during peak hours. With two full-size Euro pallet bins, the T90 has the largest storage capacity available in the standalone line, so you can accept more containers before you need to empty a bin.

## All-in-one function that's efficient and user friendly

Accept, sort, compact and store up to two types of recyclables, including refillables, all in one machine. The T90 is designed to be easy to clean, simple to empty, and seamless to operate.



## Make the most of your space

Design a configuration that provides the best use of your space and provides peace of mind for your employees. Choose to empty bins from the front or the rear, install through a wall or wrap the machine for sleek integration with your retail space.



## Digital tools streamline your store operations

The TOMRA T90 is fully compatible with TOMRA's digital solutions to help you manage your machine with efficiency, improve uptime, and spend more time with your customers.



## Retailers help the world recycle

Deposit return systems (DRS) for beverage container recycling help keep valuable resources in a continuous loop of use and reuse. At TOMRA, we call this process Clean Loop Recycling.

As a retailer, you're at the heart of Clean Loop Recycling. You play a critical role at the point where consumers buy and return their containers.



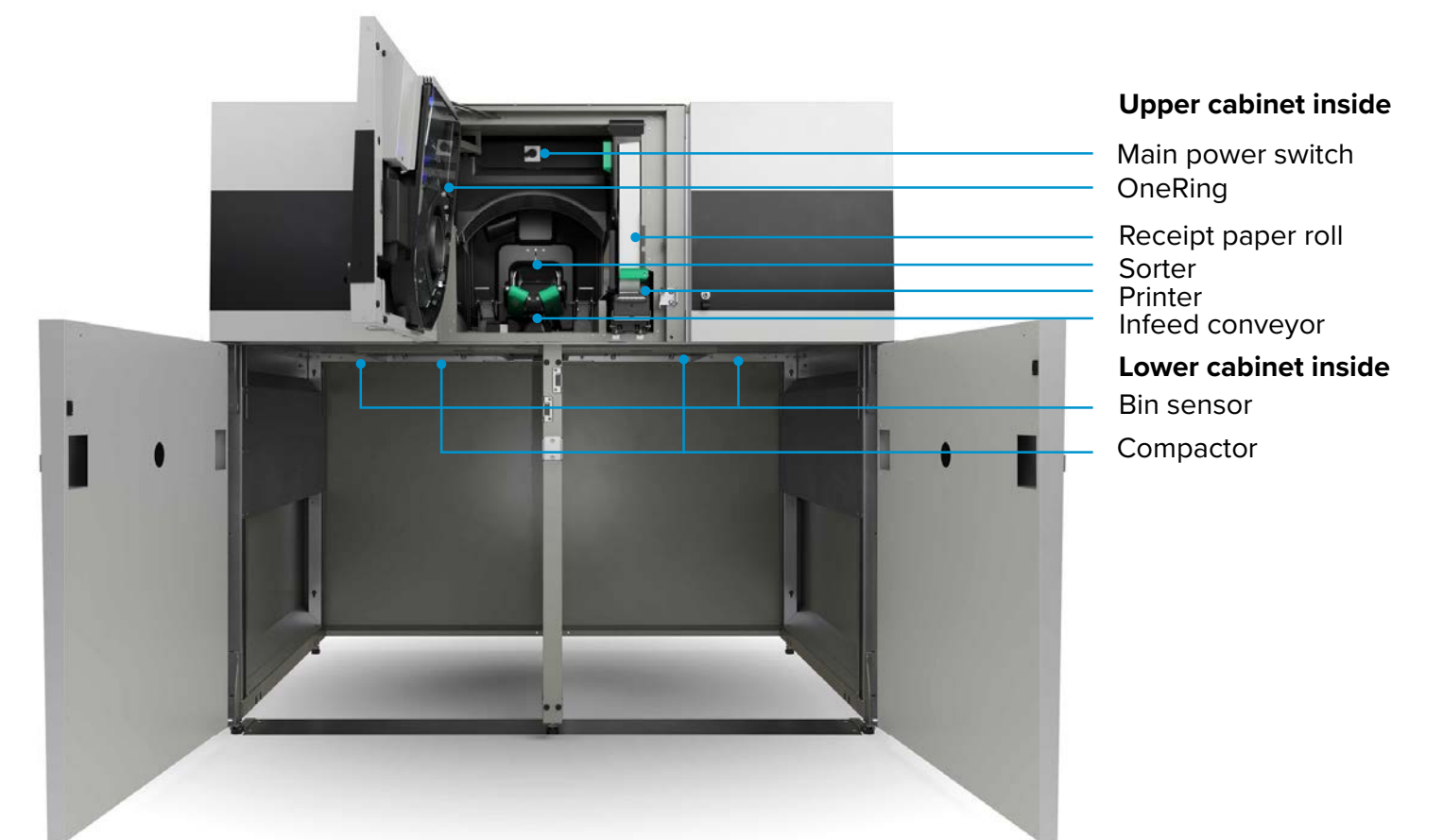
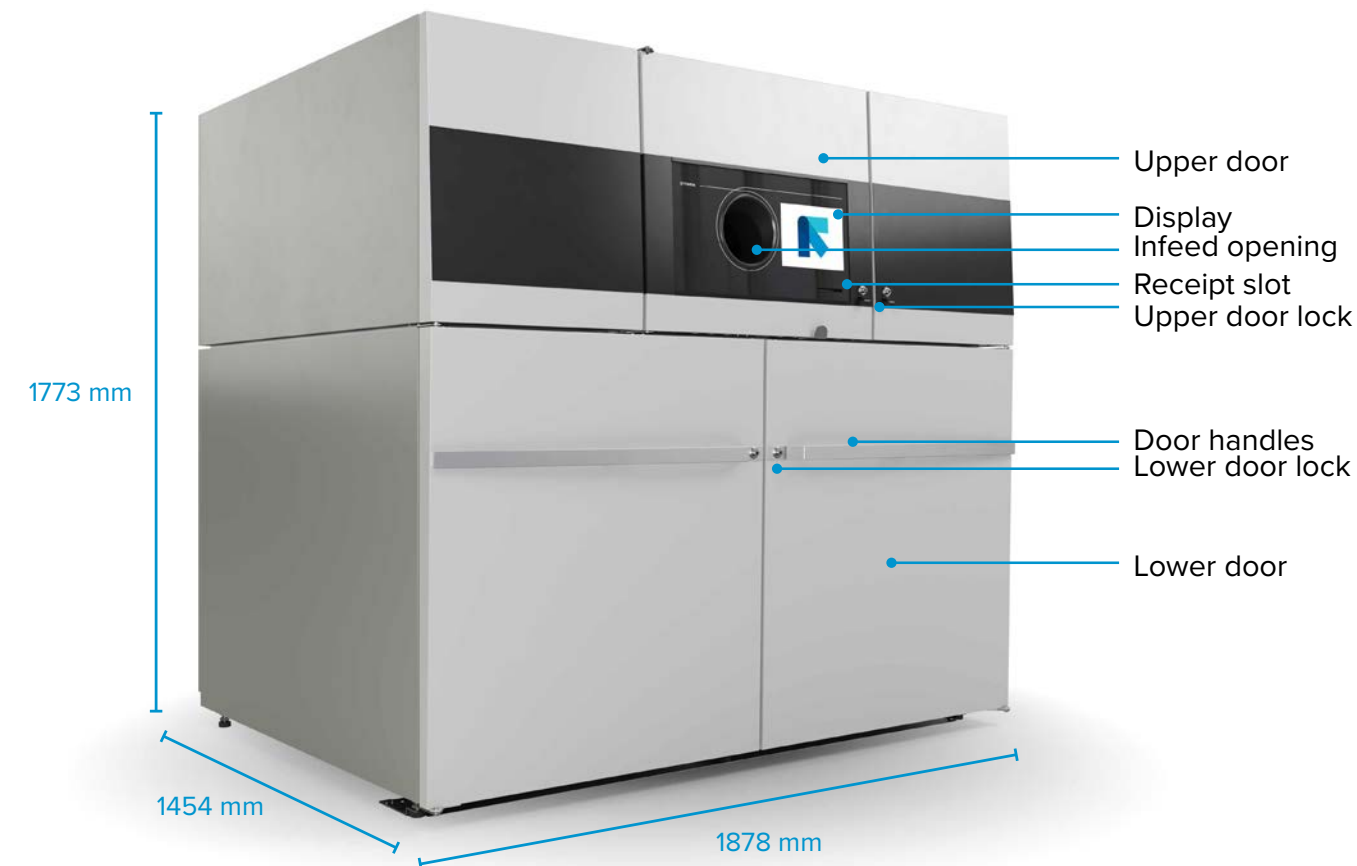
Let's put recycling to work for you

Choosing to partner with TOMRA means creating a **great recycling experience for your customers**, making a **smart investment for your store**, and choosing a solution that brings **peace of mind and excellent support for your operations**.



# TOMRA T90™

The all-in-one with more to store



## MEASUREMENTS\*

<b>Dimensions [W x D x H]</b>	1878 mm x 1454 mm x 1773 mm
<b>Infeed height</b>	1210 mm
<b>Adjustment range for height</b>	+ 100 mm
<b>Footprint</b>	2.5 sqm
<b>Weight <sup>1</sup></b>	525 kg

## STORAGE CAPACITY\*

<b>Accepted containers</b>	Up to 4 types of containers: plastic bottles, cans, refillable and non-refillable glass bottles
<b>Storage capacity per reverse vending machine<sup>3</sup></b>	<b>PET bottles:</b> Up to 3000 (compacted) <sup>3</sup> <b>Cans:</b> Up to 12000 (compacted) <sup>3</sup> <b>Glass:</b> Up to 300
<b>Container sizes</b>	50-130mm x 80-380mm (D x H)

## CONNECTIVITY

<b>External IT interface</b>	LAN (Ethernet TCP/IP), POS compatible
<b>Digital tools</b>	Fully compatible with TOMRA's portfolio of digital products and APIs

\* May vary in different countries due to variations in beverage container materials, shapes and sizes.

<sup>1</sup> May Vary according to packaging.

<sup>2</sup> Performance data may vary across markets, deposit regulations and system requirements.

<sup>3</sup> Capacities will vary with object mix, type and system configuration.

## STANDARD CONFIGURATION\*

<b>Machine type</b>	Standalone reverse vending machine
<b>Bin unload direction</b>	Free-standing, front or rear unload. Also available in wall-mounted version.
<b>Number of cabinets &amp; bins</b>	2 cabinet, 3 bins. Also available as 2x1/1 Euro pallet.
<b>Compactors</b>	PET Crusher, Can Crusher, Mix Crusher, Glass Crusher. SoftDrop bin for refillable glass bottles.
<b>Colors</b>	RAL 7042 (Possible to wrap machine for a custom look)
<b>User interface</b>	<b>Display:</b> 10,4" touch display, video and sound capabilities, user guidance on machine screen <b>Printer:</b> Thermal printer

## ENVIRONMENTAL

<b>Humidity</b>	Maximum 90% relative humidity, non-condensing
<b>Temperature</b>	+10°C to +40°C / +50°F to 104°F (For indoor or protected installation only)
<b>Noise</b>	<70 dB (can/plastic), <85 dB (glass)

## RECOGNITION

<b>Recognition technology</b>	TOMRA Flow Technology™ (360° instant recognition, shape recognition, full container detection, barcode recognition, metal detection)
<b>Speed capability</b>	Up to 45 containers per minute <sup>2</sup>

## ELECTRICAL

<b>Power consumption</b>	Idle 60 W – Max. 2,5 kW
<b>Mains EU</b>	400V AC – 3-phase w/ ground, 50Hz, 16A



Get in the Loop at [tomra.com/Collection](https://tomra.com/Collection)



### TOMRA CERTIFICATION

TOMRA SYSTEMS ASA has implemented and maintains a Quality and Environmental Management System which fulfils Nemko's provisions for Management System Certification and the requirements of standards NS-EN ISO 9001:2015 and NS-EN ISO 14001:2015, with the scope described by the organization on 2018-05-29. The certification covers the development and delivery of automated systems for recycling.



### LEGAL COMPLIANCE

The CE mark on this product confirms compliance with the following European Directives: 2006/42/EU, Community Legislation on Machinery. 2014/30/EU, Electromagnetic Compatibility (EMC). 2011/65/EU, Restrictions of Hazardous Substance (RoHS). 2012/19/EU, Waste Electrical and Electronic Equipment (WEEE).

We reserve the right to make changes to specifications without prior notice. While every effort has been made to ensure all information contained in this document is accurate, TOMRA assumes no liability for any errors, inaccuracies or omissions that may occur. All products and offers are subject to country availability. Please consider the environment before printing.

## TOMRA Collection

TOMRA Collection is part of the TOMRA Group, which is Leading the Resource Revolution by transforming how we obtain, use, and reuse our world's resources.

With over 82,000 installations across more than 60 markets, retailers and consumers around the world rely on our reverse vending machines to collect more than 45 billion used bottles and cans each year, which can be recycled into new containers.

Clean Loop Recycling is the easy and rewarding way to make choices that make change.

Get in the Loop at [tomra.com](https://www.tomra.com)

